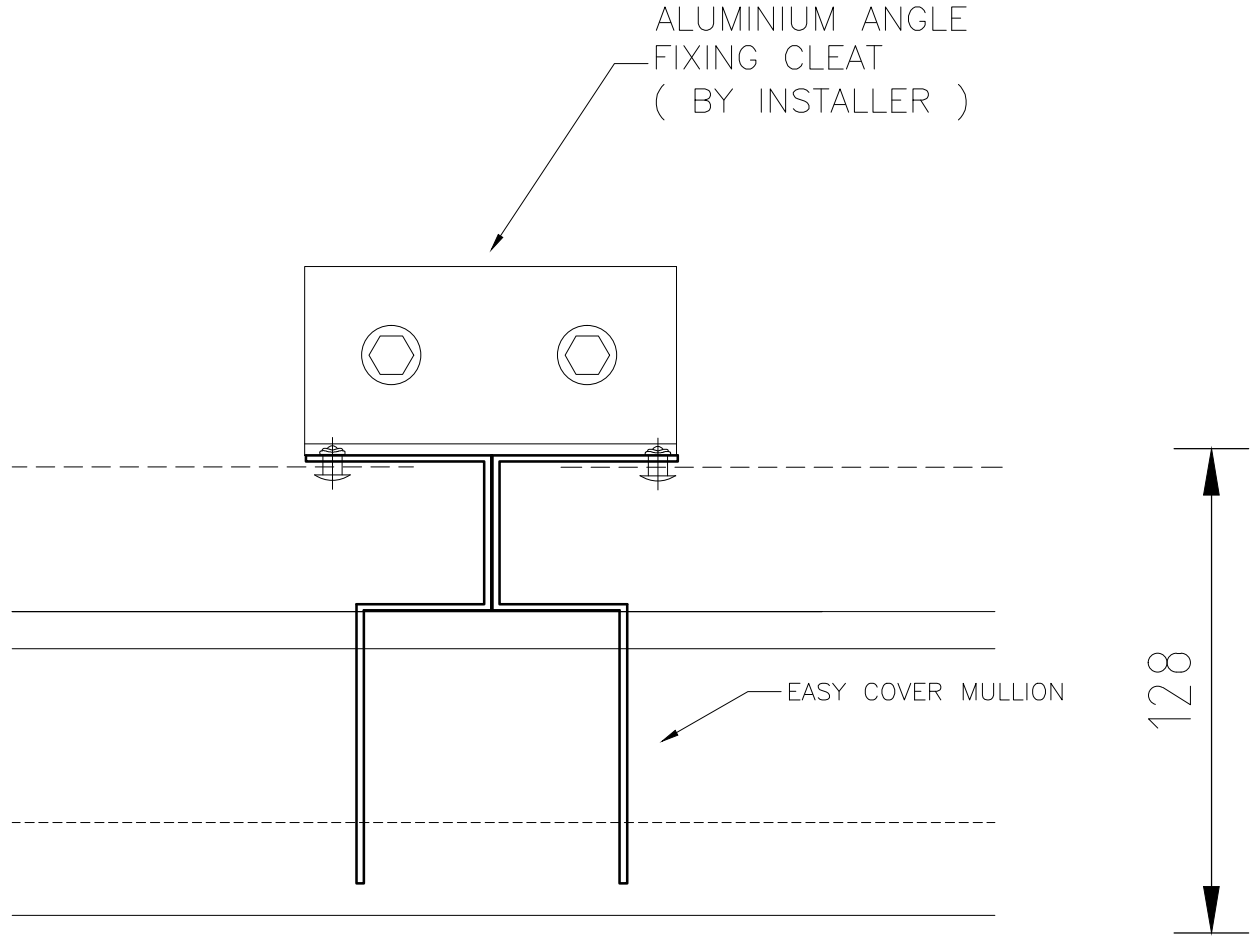



JAMB DETAIL  
BIRDMESH OR  
BLANKING PANEL  
INTO MASONRY



INTER MULL DETAIL  
BIRDMESH OR  
BLANKING PANEL  
INTO MASONRY

Element Control Systems  
© Copyright

| Rev   | Description        | Date         |
|---|--------------------|--------------|
| <br><b>element control systems</b><br>commercial louvres & solar shading |                    |              |
| 3/109 Ledger Road<br>BEVERLEY SA 5009<br>ABN 20 143 060 360<br>Telephone (08) 8243 0011<br>Facsimile (08) 8243 0711   |                    |              |
| <b>Project ECS EASY COVER 100 MM DEPTH PRIMARY STAGE LOUVRE</b>   |                    |              |
| <b>Title Jamb Into Masonry</b>  |                    |              |
| Drawn   | DW                 | Checked HW   |
| Date  | 22/03/12           | Scale 1:2    |
| Drawing No.   | EC - PS - 100 - 05 | Revision No. |