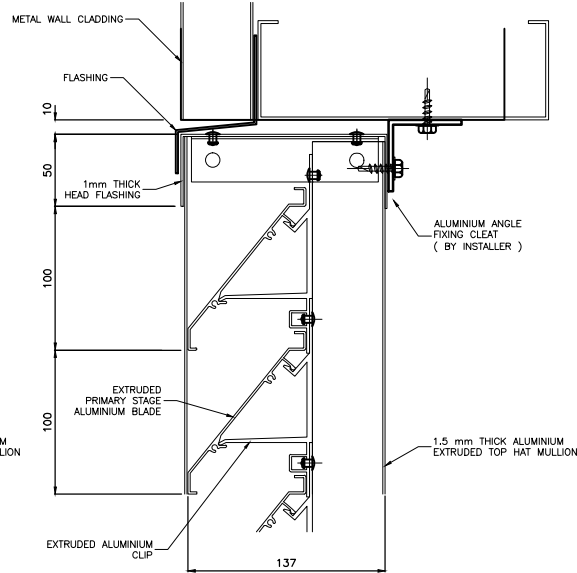
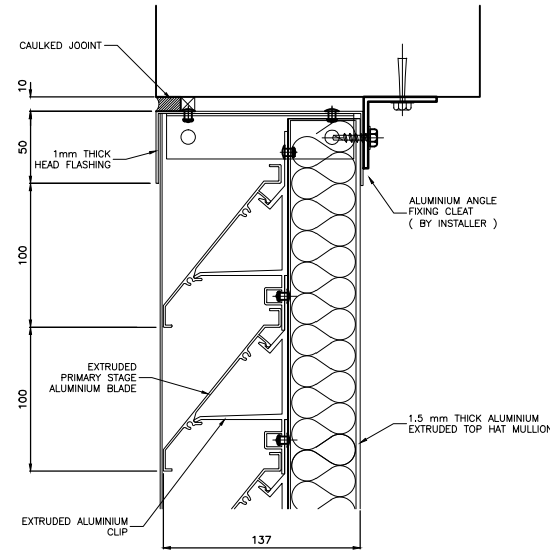


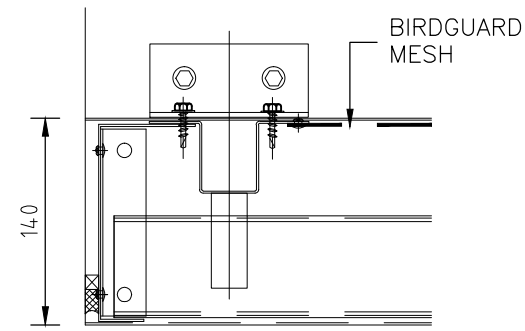
ELEMENT CONTROL SYSTEMS
100 PRIMARY STAGE LOUVRE
HEAD INTO MASONRY



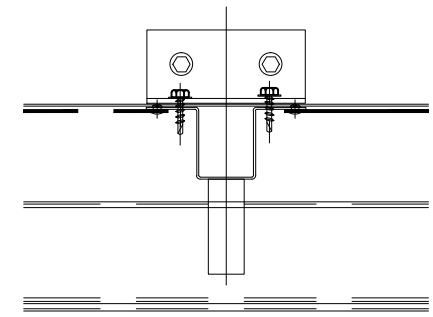
ELEMENT CONTROL SYSTEMS
100 PRIMARY STAGE LOUVRE
HEAD INTO CLADDING



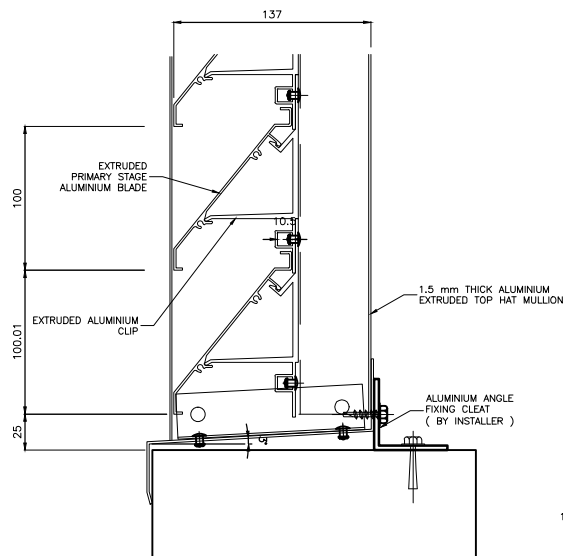
ELEMENT CONTROL SYSTEMS
100 PRIMARY STAGE LOUVRE
HEAD



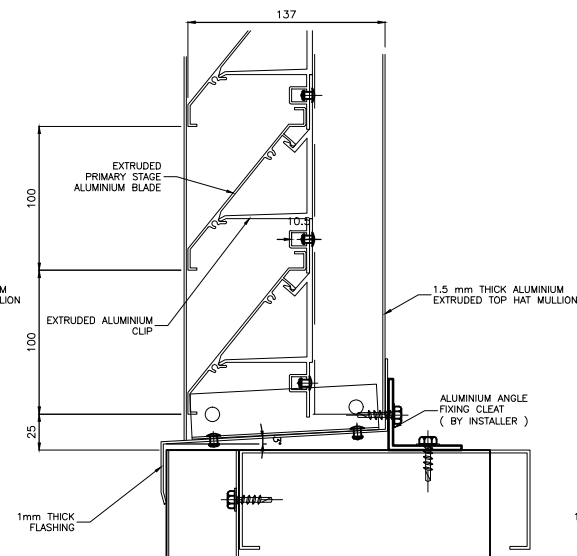
JAMB DETAIL
BIRDCUARD OR
SINGLE SKIN
BLANKING PANEL



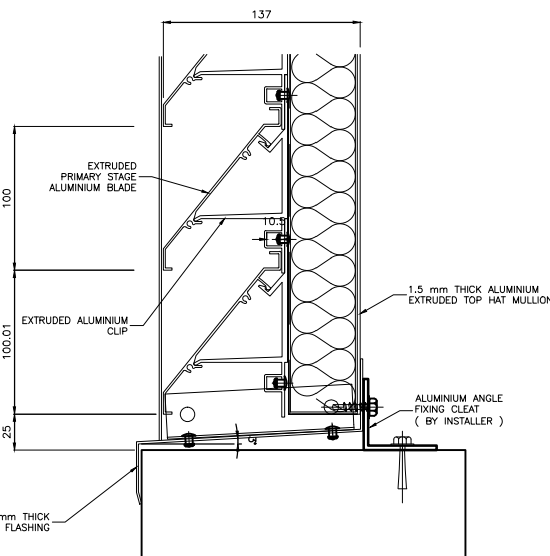
INTER MULL DETAIL
BIRDCUARD OR
SINGLE SKIN
BLANKING PANEL



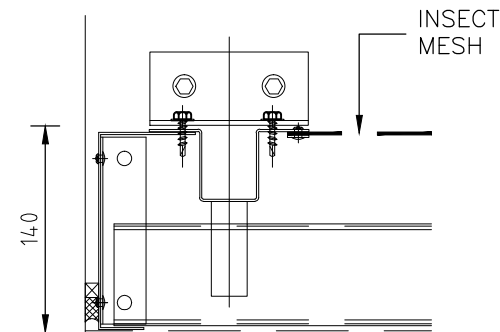
ELEMENT CONTROL SYSTEMS
100 PRIMARY STAGE LOUVRE
SILL INTO MASONRY



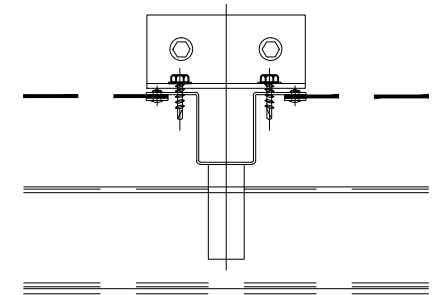
ELEMENT CONTROL SYSTEMS
100 PRIMARY STAGE LOUVRE
SILL INTO CLADDING



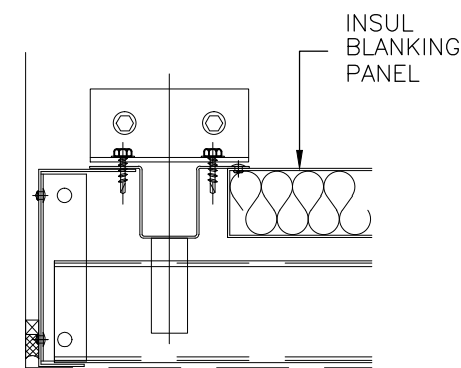
ELEMENT CONTROL SYSTEMS
100 PRIMARY STAGE LOUVRE
SILL



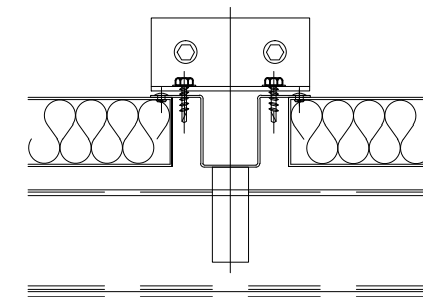
JAMB DETAIL
INSECT MESH



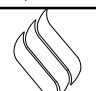
INTER MULL DETAIL
INSECT MESH



JAMB DETAIL
INSULATED
BLANKING PANEL



INTER MULL DETAIL
INSULATED
BLANKING PANEL

Rev	Description	Date
 element control systems commercial louvres & solar shading		
3/109 Ledger Road BEVERLEY SA 5009 ABN 20 143 060 360 Telephone (08) 8243 0011 Facsimile (08) 8243 0711		
Project ECS 100 SINGLE STAGE LOUVRE		
Title Louvre Infill Details		
Drawn	DCM	Checked HW
Date	28/07/10	Scale 1:5
Drawing No.	SS - 0005	Revision No.