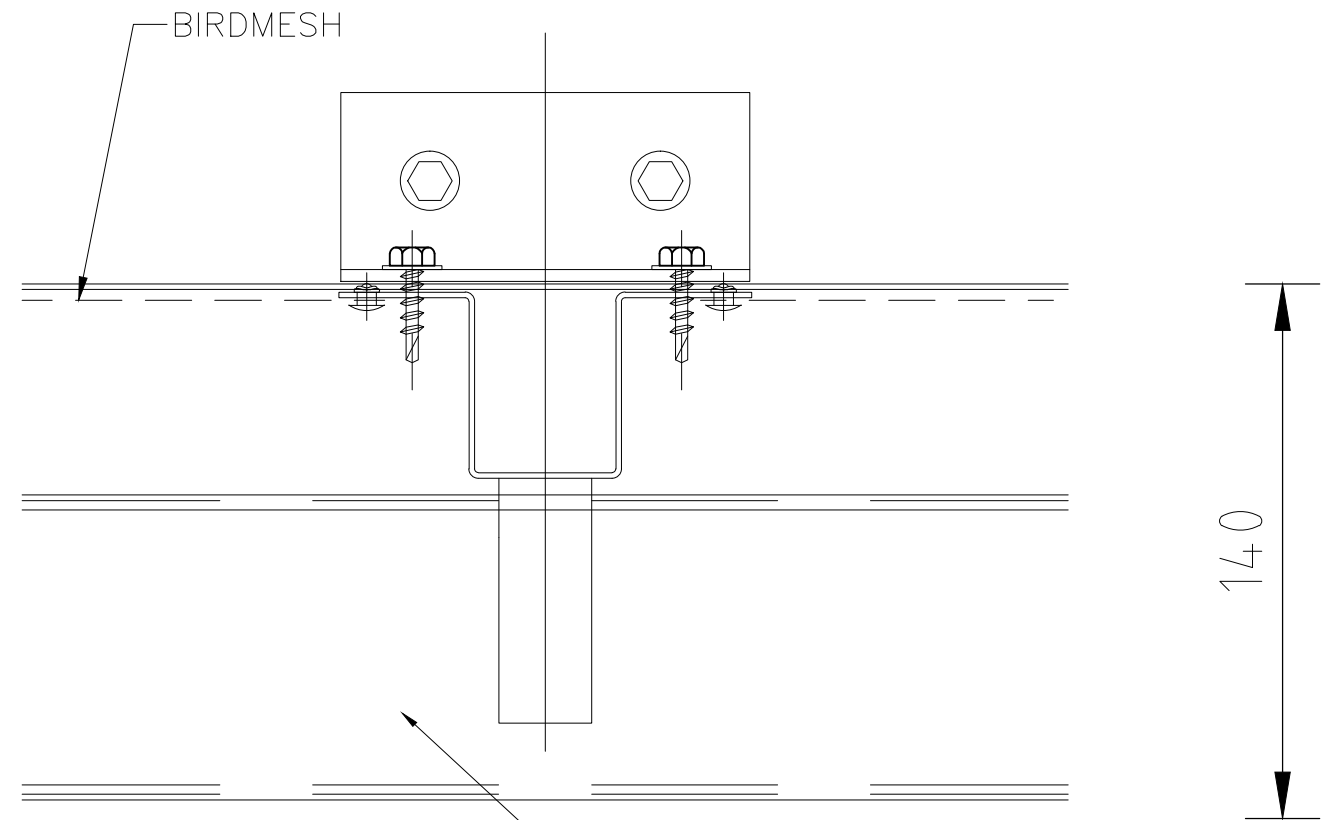


CAULKED JOINT

SIDE FLASHING

JAMB DETAIL
 BIRDMESH OR
 BLANKING PANEL
 INTO MASONRY




BIRDMESH

EXTRUDED
 PRIMARY STAGE
 ALUMINIUM BLADE

140

INTER MULL DETAIL
 BIRDMESH OR
 BLANKING PANEL
 INTO MASONRY

Element Control Systems
 © Copyright

Rev	Description	Date
 element control systems commercial louvres & solar shading		
3/109 Ledger Road BEVERLEY SA 5009 ABN 20 143 060 360 Telephone (08) 8243 0011 Facsimile (08) 8243 0711		
Project		ECS 100 PRIMARY STAGE LOUVRE
Title		Jamb Into Masonry
Drawn	DW	Checked HW
Date	22/03/12	Scale 1:2
Drawing No.	PS - 100 - 05	Revision No.