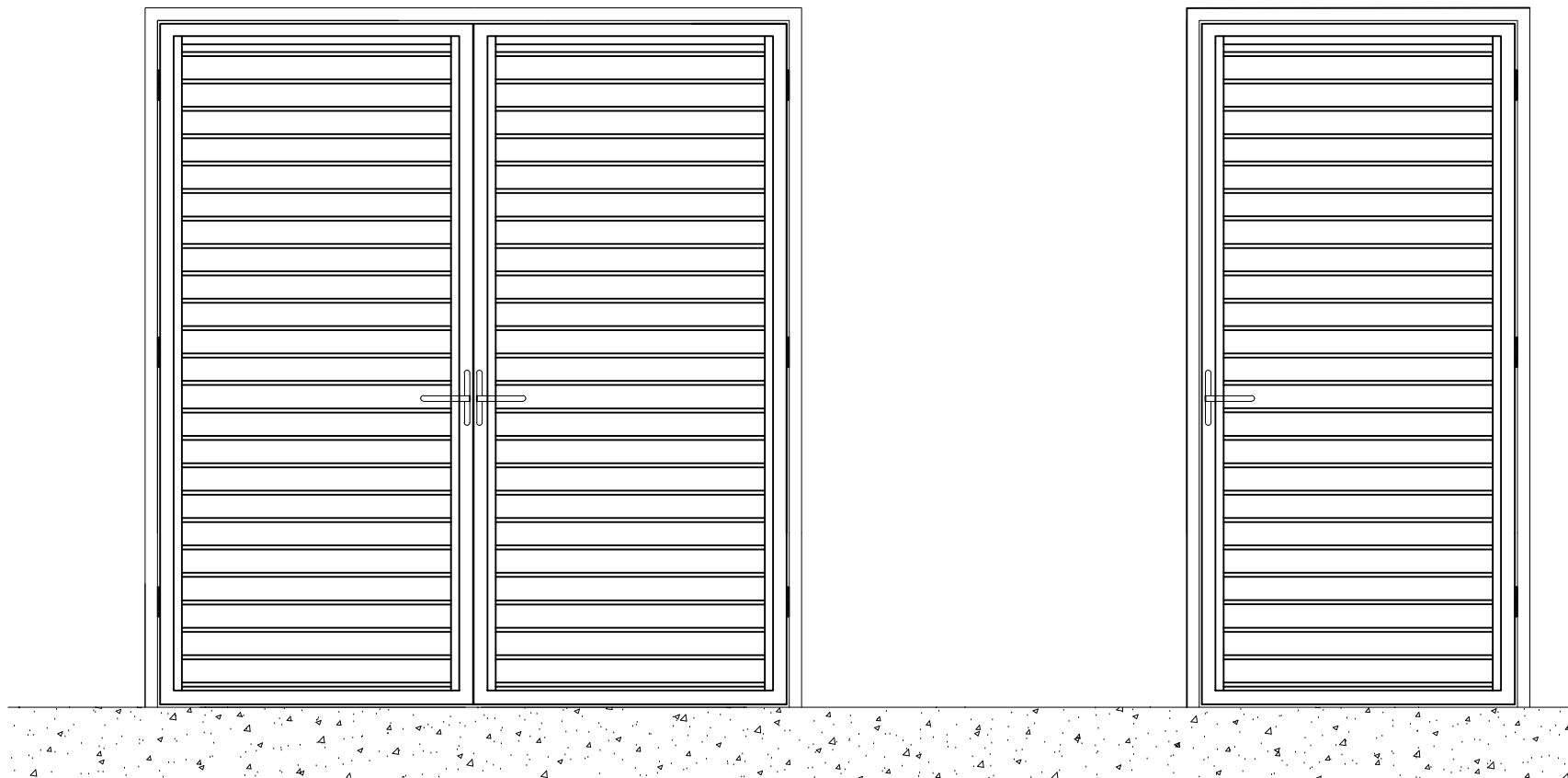
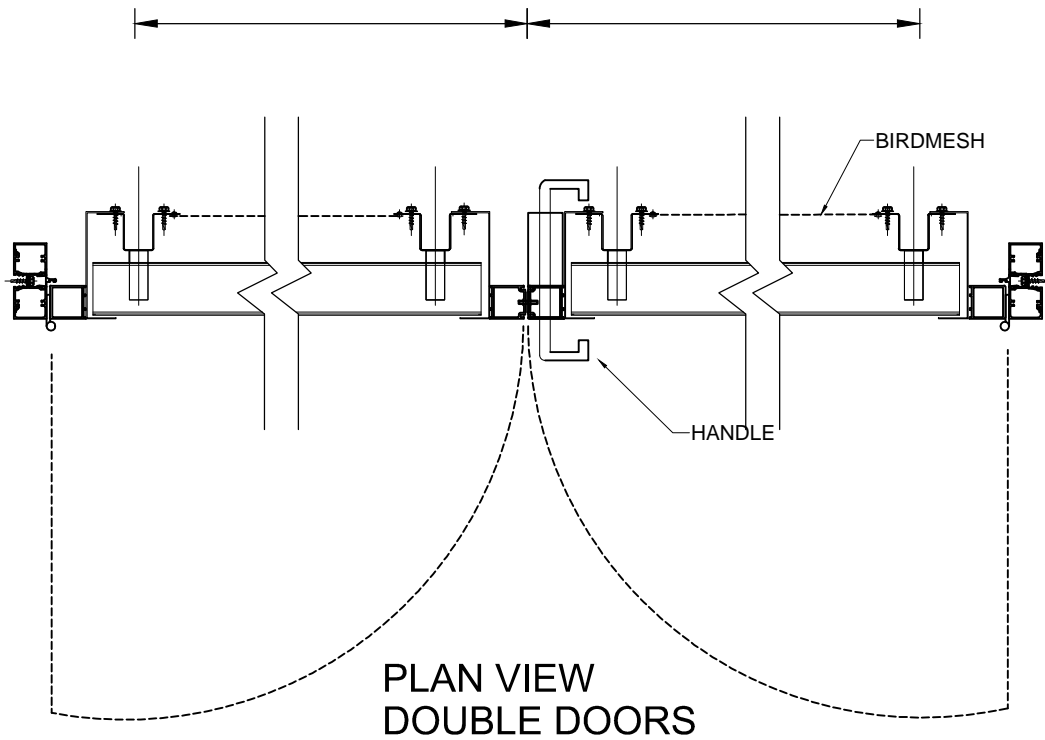


SINGLE & DOUBLE DOORS PRIMARY STAGE



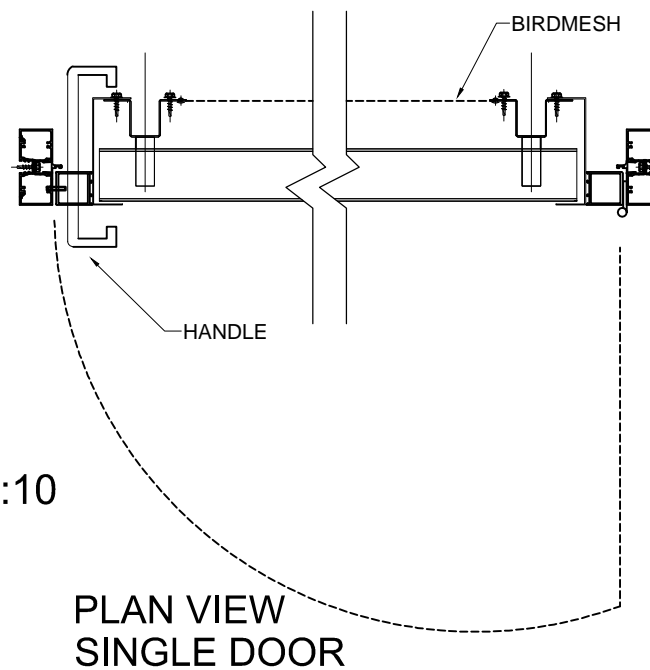
SCALE 1:25

COS COS

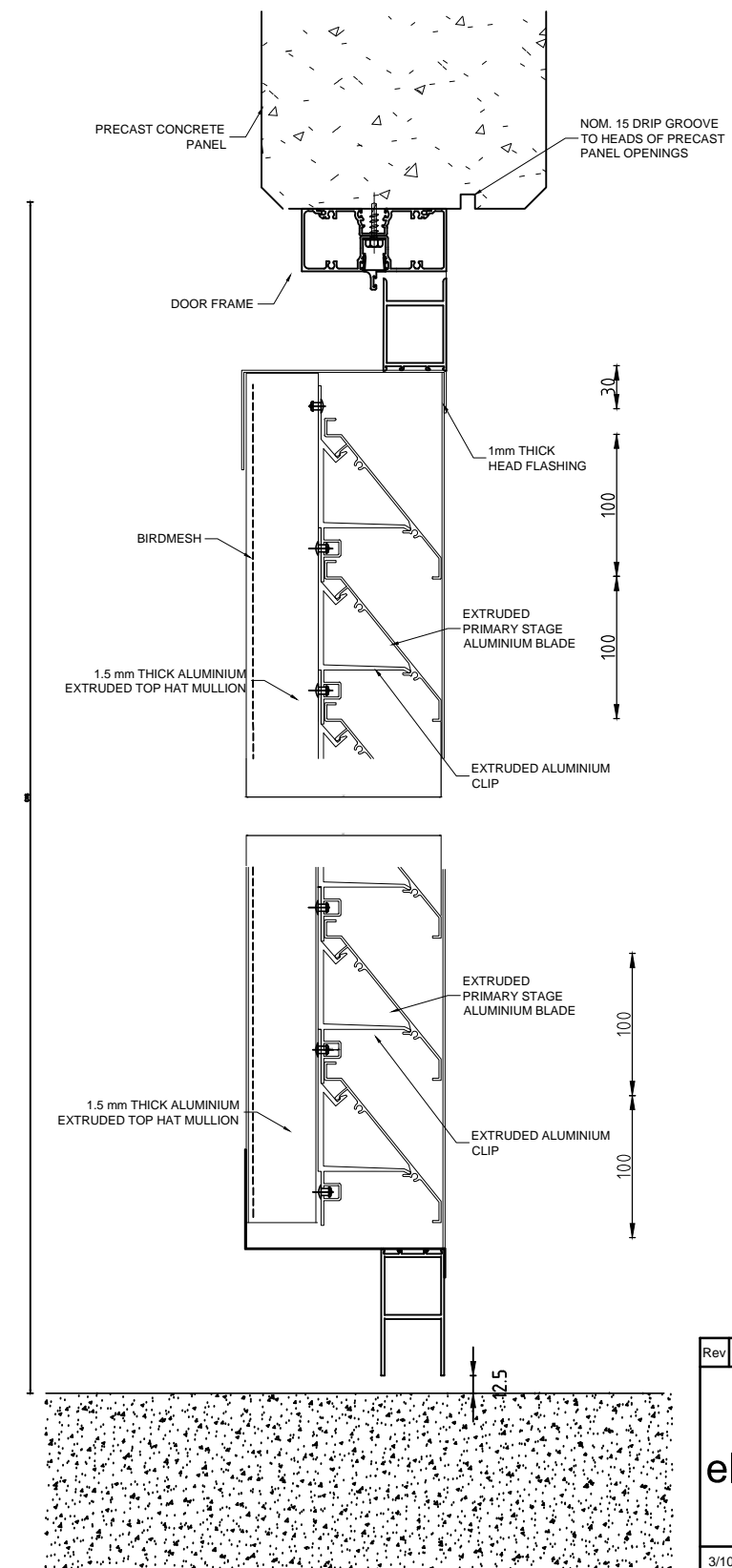


PLAN VIEW
DOUBLE DOORS


SCALE 1:10



PLAN VIEW
SINGLE DOOR



SECTION VIEW
SCALE 1:5

Rev	Description	Date
 element control systems commercial louvres & solar shading		
3/109 Ledger Road BEVERLEY SA 5009 ABN 20 143 060 360 Telephone (08) 8243 0011 Facsimile (08) 8243 0711		
Project		ECS EASY FLOW 100 MM DEPTH PRIMARY STAGE LOUVRE DOORS
Title		SECTION AND PLAN VIEWS
Drawn	DW	Checked HW
Date	28/05/12	Scale 1:25
Drawing No.	PS - 100 - MC-SDD	Revision No.

Element Control Systems
© Copyright