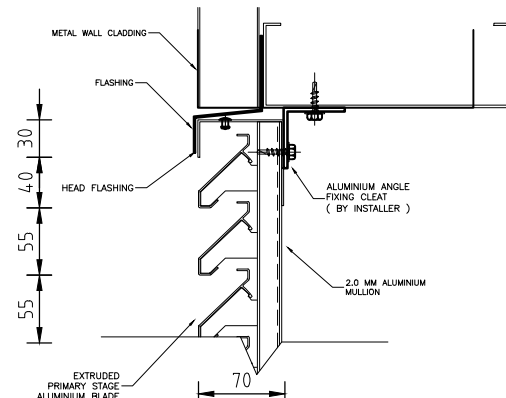


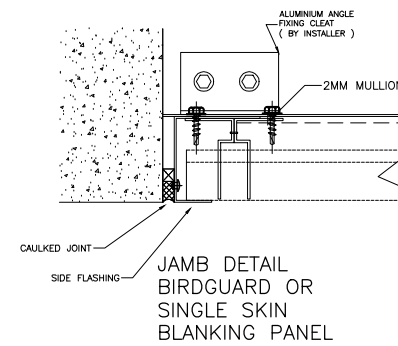
ELEMENT CONTROL SYSTEMS  
55 PRIMARY STAGE LOUVRE HEAD  
INTO MASONRY

<b>55S 55 PRIMARY STAGE LOUVRE</b> Louvre Head Into Masonry	
Rev	Rev
22/10/15	12
Element Control Systems © Copyright PS - 10 - 11	

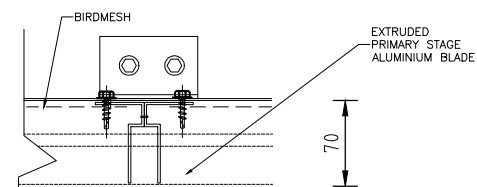


ELEMENT CONTROL SYSTEMS  
55 PRIMARY STAGE LOUVRE HEAD  
INTO CLADDING

<b>55S 55 PRIMARY STAGE LOUVRE</b> Louvre Head Into Cladding	
Rev	Rev
22/10/15	12
Element Control Systems © Copyright PS - 10 - 11	

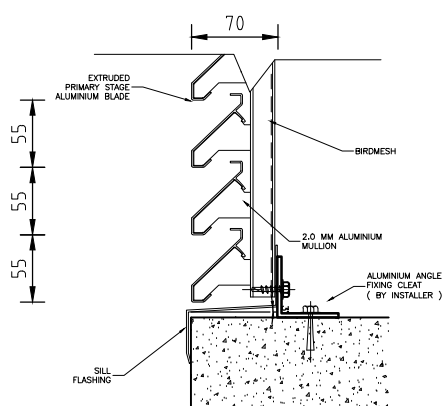


JAMB DETAIL  
BIRMGUARD OR  
SINGLE SKIN  
BLANKING PANEL



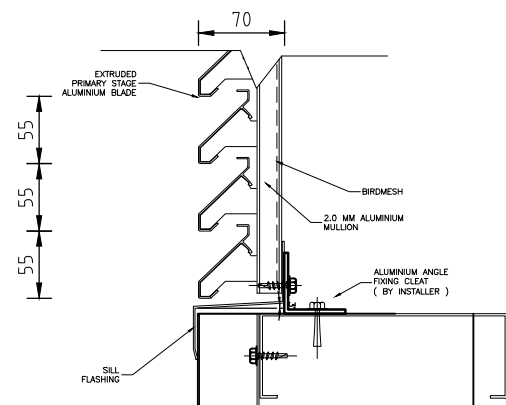
INTER MULL DETAIL  
BIRMGUARD OR  
SINGLE SKIN  
BLANKING PANEL

<b>55S 55 PRIMARY STAGE LOUVRE</b> Jamb Into Cladding	
Rev	Rev
22/10/15	12
Element Control Systems © Copyright PS - 10 - 11	



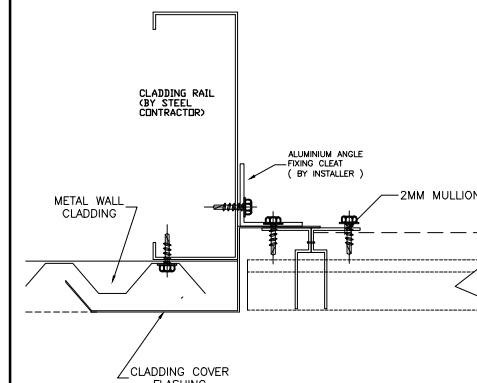
ELEMENT CONTROL SYSTEMS  
55 PRIMARY STAGE LOUVRE  
SILL INTO MASONRY

<b>55S 55 PRIMARY STAGE LOUVRE</b> Louvre Sill Into Masonry	
Rev	Rev
22/10/15	12
Element Control Systems © Copyright PS - 10 - 11	

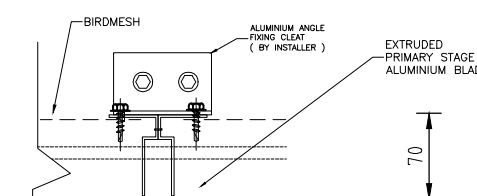


ELEMENT CONTROL SYSTEMS  
55 PRIMARY STAGE LOUVRE  
SILL INTO CLADDING

<b>55S 55 PRIMARY STAGE LOUVRE</b> Louvre Sill Into Cladding	
Rev	Rev
22/10/15	12
Element Control Systems © Copyright PS - 10 - 11	



JAMB DETAIL  
BIRD MESH



INTER MULL DETAIL  
BIRD MESH

<b>55S 55 PRIMARY STAGE LOUVRE</b> Jamb Into Cladding	
Rev	Rev
22/10/15	12
Element Control Systems © Copyright PS - 10 - 11	